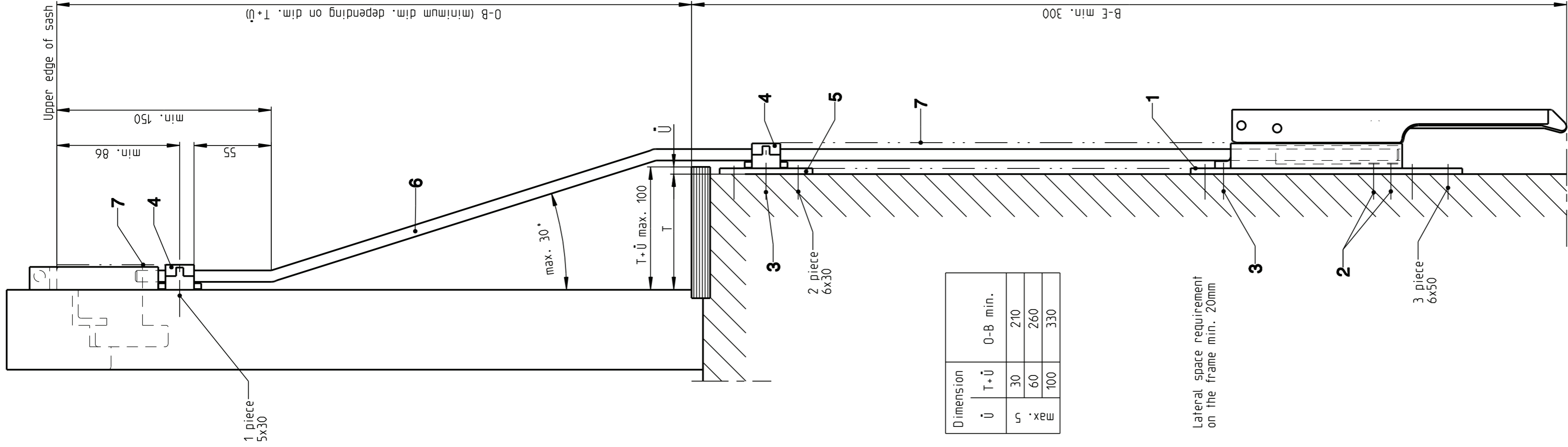




**Rod transmission Ø 8 for T + U up to 100 mm max.**

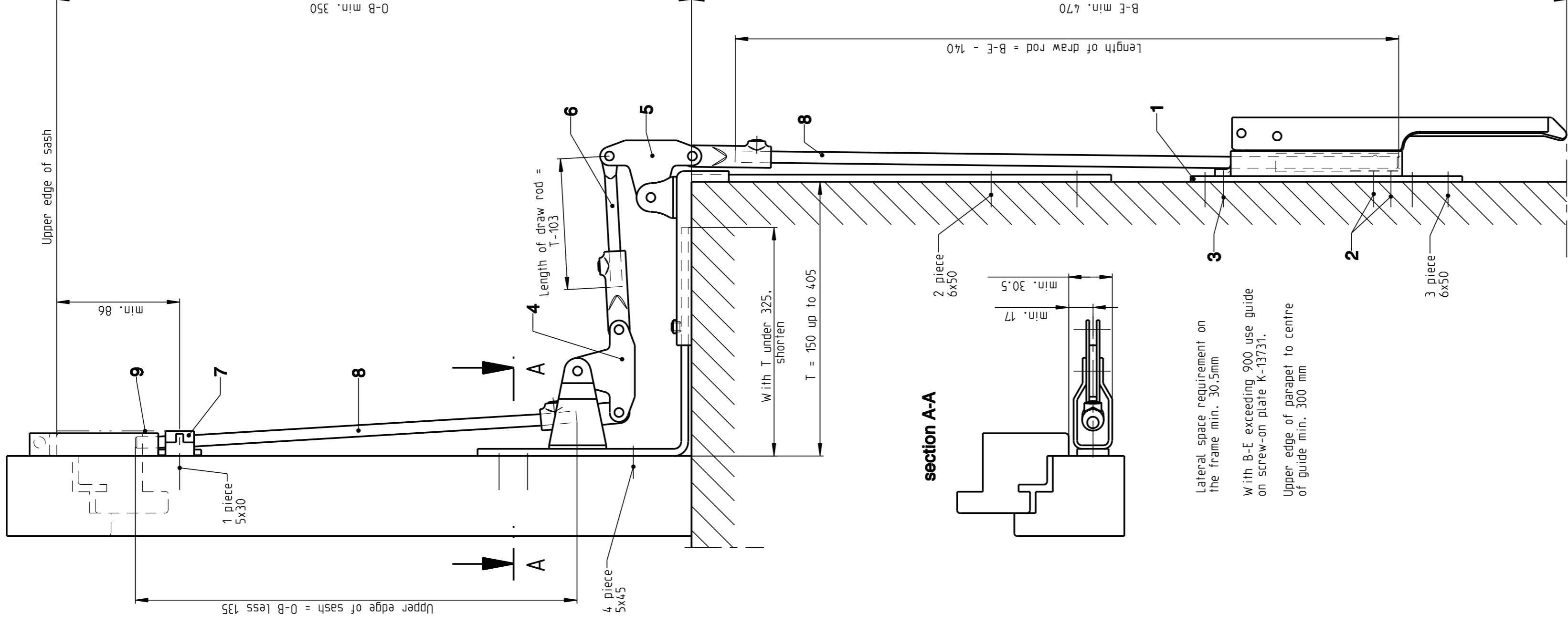


Dimension	T + U	O-B min.
Ø	30	270
max. s	60	260
	100	330

Lateral space requirement on the frame min. 20mm

Item	Description	Article No.	Qty. contained in box
1	Screw-on plate	9-33787-00-0	1
2	Countersunk screw M5x6	9-13255-06-0	2
3	Countersunk screw M5x8	9-13255-08-0	2
4	Upper bell-shaped angle	6-23554-00-0	2
5	Lower bell-shaped angle	6-23555-00-0	2
6	Rod Ø 8	9-33786-03-0	1
7	Guide	9-33788-00-0	1
8	Rod Ø 8	9-25476-06-0	L = 600
	Rod to be cranked on site	9-25476-18-0	L = 1850
		9-25476-33-0	L = 3300
		9-25476-60-0	L = 6000
9	Cover profile	9-33444-06-0	L = 700
		9-33444-18-0	L = 1800
		9-33444-33-0	L = 3050
		9-33444-60-0	L = 6000

**bell-shaped angle transmission CD 8 for T 150 mm up to T 405 mm**

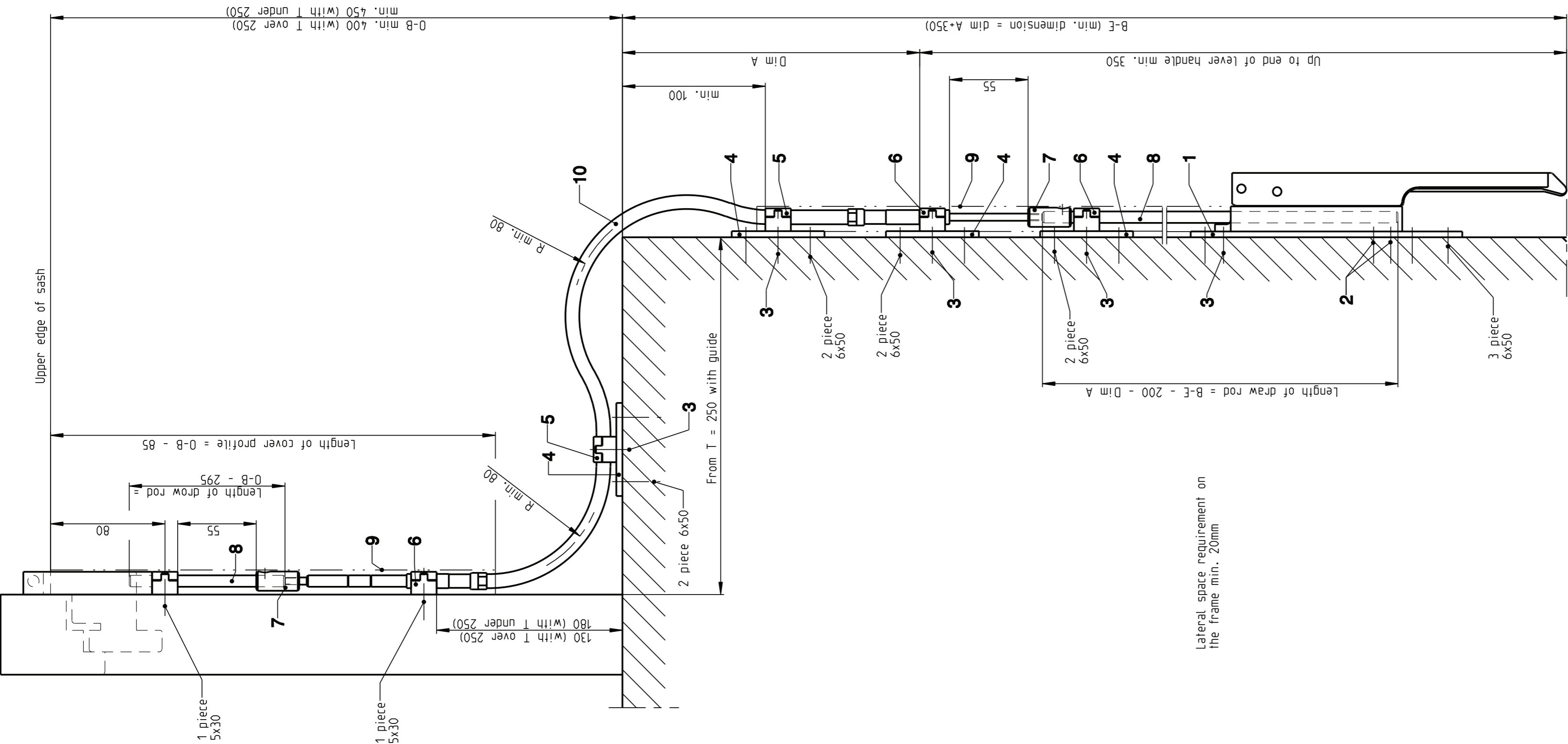


**section A-A**

Lateral space requirement on the frame min. 30.5mm

Item	Description	Article No.	Qty. contained in box
1	Screw-on plate	9-33787-00-0	1
2	Countersunk screw M5x6	9-13255-06-0	2
3	Countersunk screw M5x8	9-13255-08-0	2
4	Upper bell-shaped angle	6-23554-00-0	1
5	Lower bell-shaped angle	6-23555-00-0	1
6	Rod Ø 8	9-33786-03-0	1
7	Guide	9-33788-00-0	1
8	Rod Ø 8	9-25476-06-0	L = 600
		9-25476-18-0	L = 1850
		9-25476-33-0	L = 3300
		9-25476-60-0	L = 6000
9	Cover profile	9-33444-06-0	L = 700
		9-33444-18-0	L = 1800
		9-33444-33-0	L = 3050
		9-33444-60-0	L = 6000

**Flexible transmission for T up to 730 mm max.**

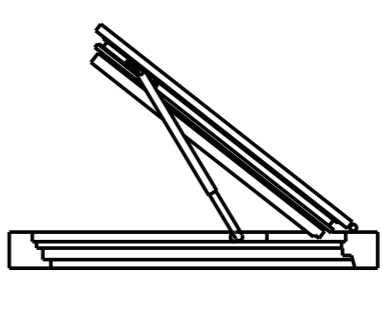


Item	Description	Article No.	Qty. contained in box
1	Screw-on plate	9-33787-00-0	1
2	Countersunk screw M5x6	9-13255-06-0	2
3	Countersunk screw M5x8	9-13255-08-0	2
4	Screw-on plate	9-35606-00-0	1
5	Guide Ø 8	9-35366-00-0	2
6	Guide Ø 8	9-28893-00-0	2
7	Sleeve Ø 8 / M5	6-27102-00-0	2
8	Rod Ø 8	9-25476-06-0	L = 600
		9-25476-18-0	L = 1850
		9-25476-33-0	L = 3300
		9-25476-60-0	L = 6000
9	Cover profile	9-33444-06-0	L = 700
		9-33444-18-0	L = 1800
		9-33444-33-0	L = 3050
		9-33444-60-0	L = 6000
10	Flexible transmission	6-29495-07-0	L = 700
		6-29495-10-0	L = 1000
		6-29495-13-0	L = 1300
		6-29495-20-0	L = 2000

Dim T	Dim A
730	170
700	200
670	230
640	260
610	290
580	320
550	350
520	380
490	410
460	440
430	470
400	500
370	530
340	560
310	590
280	620
250	650

Dim T	Dim A
730	170
700	200
670	230
640	260
610	290
580	320
550	350
520	380
490	410
460	440
430	470
400	500
370	530
340	560
310	590
280	620
250	650

Dim T	Dim A
730	170
700	200
670	230
640	260
610	290
580	320
550	350
520	380
490	410
460	440
430	470
400	500
370	530
340	560
310	590
280	620
250	650



According to RAL regulations is obligatory to equip all sashes with fan-light fittings along with fan-light fittings.

G.U security stays EuroSolid prevent damage that might occur when opening stays are improperly mounted.

Mounting on timber windows according to drawing no. 0-43276-ND-3

On PVC windows according to drawing no. 0-43277-ND-3

On aluminium windows according to drawing no. 0-43278-ND-3

**Required order specifications for transmissions**

Top edge of sash to parapet...0-B  
 End of lever handle...E(m)  
 Recess depth...U  
 Window sill projection...U

**Application range**

Max. sash width 2400 mm  
 Max. total sash weight 35 kg

Description  
**Flatform fan-light opener Venius F200**  
 Various Transmission Types

Scale: 1:10  
 Date: 19.04.06  
 Checked: [Signature]  
 Drawn: [Signature]

Project: GB-43700-GG  
 Drawing No.: GB-43700-GG  
 Revision: 1

Author: DITZMEIN  
 Project: 0-43700-GG Ausgabe 1  
 Date: 2006